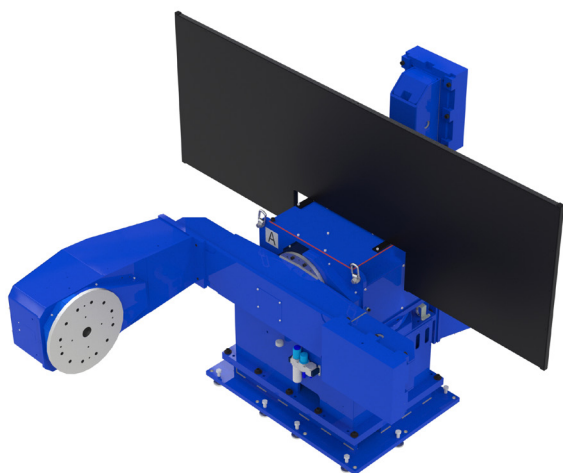


VMF-500, VMF-750

Two station tilt-rotate positioner with L arms.



- High freedom of positioning.
- Designed for operator ease of use.
- Vertical station changing.

This is a two station positioner for workpieces that require rotation about one axis. It has been designed for operator ease of use, with a suitable working height for loading/unloading the fixtures, and is delivered complete with an anti-glare shield.

Available accessories

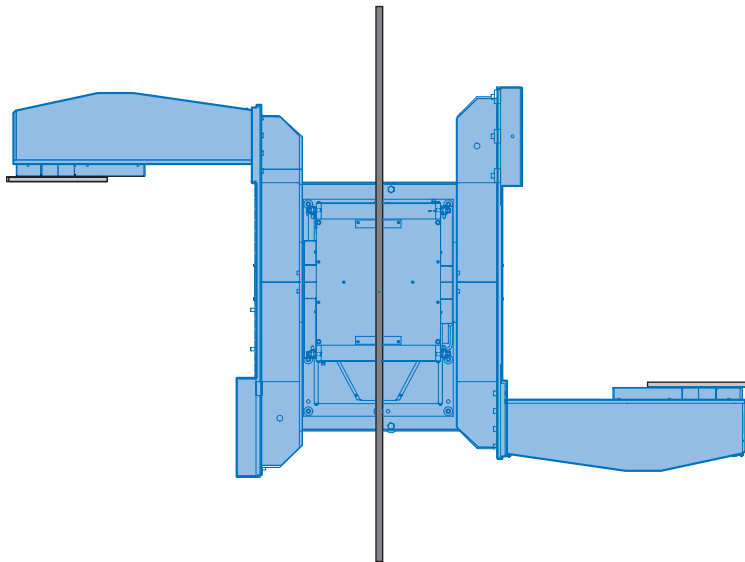
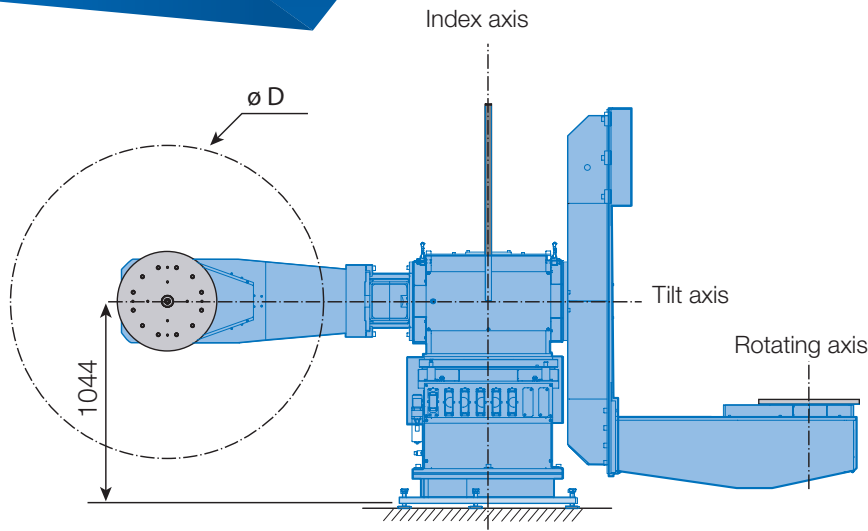
- Slip ring device
- Controlled air
- Fixture bracket

Technical data		VMF-500 S5YL	VMF-750 S5YL
Max. payload	load per station	500 kg	750 kg
Max fixture width	diameter	ø 2000, ø 2400 mm	ø 1500 mm
Welding capacity	100% duty cycle 60% duty cycle	2x 350 A 2x 460 A	2x 350 A 2x 460 A
Index axis	Motor power Torque dynamic Torque static	3.0 kW 6055 Nm 4844 Nm	3.0 kW 6055 Nm 4844 Nm
Tilt axis	Motor power Torque dynamic Torque static	1.3 kW 3348 Nm 2678 Nm	1.3 kW 3348 Nm 2678 Nm
Rotating axis	Motor power Torque dynamic Torque static Offset	2.0 kW 2600 Nm 2080 Nm 424 mm	2.0 kW 2658 Nm 2126 Nm 288 mm

New generation
Sigma-7

Controlled by
YRC1000

VMH-500, -750



	D (mm)	Weight	Part No.
VMF-500 S5YL	\varnothing 2000 mm	3534 kg	124644-703
	\varnothing 2500 mm	3578 kg	124644-705
VMF-750 S5YL	\varnothing 1500 mm	3480 kg	124645-701

YASKAWA



YASKAWA Nordic AB
PO Box 504
SE-385 25 Torsås, SWEDEN