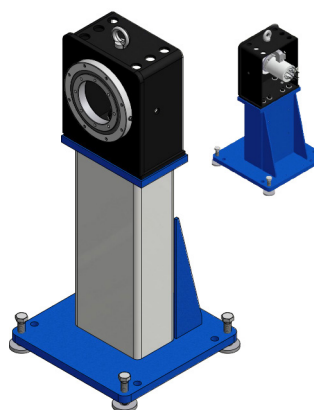
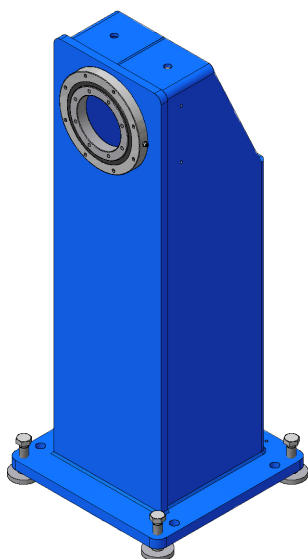


# SPE-1000

Stand-alone tailstock.



SPE-1000



SPE-5000

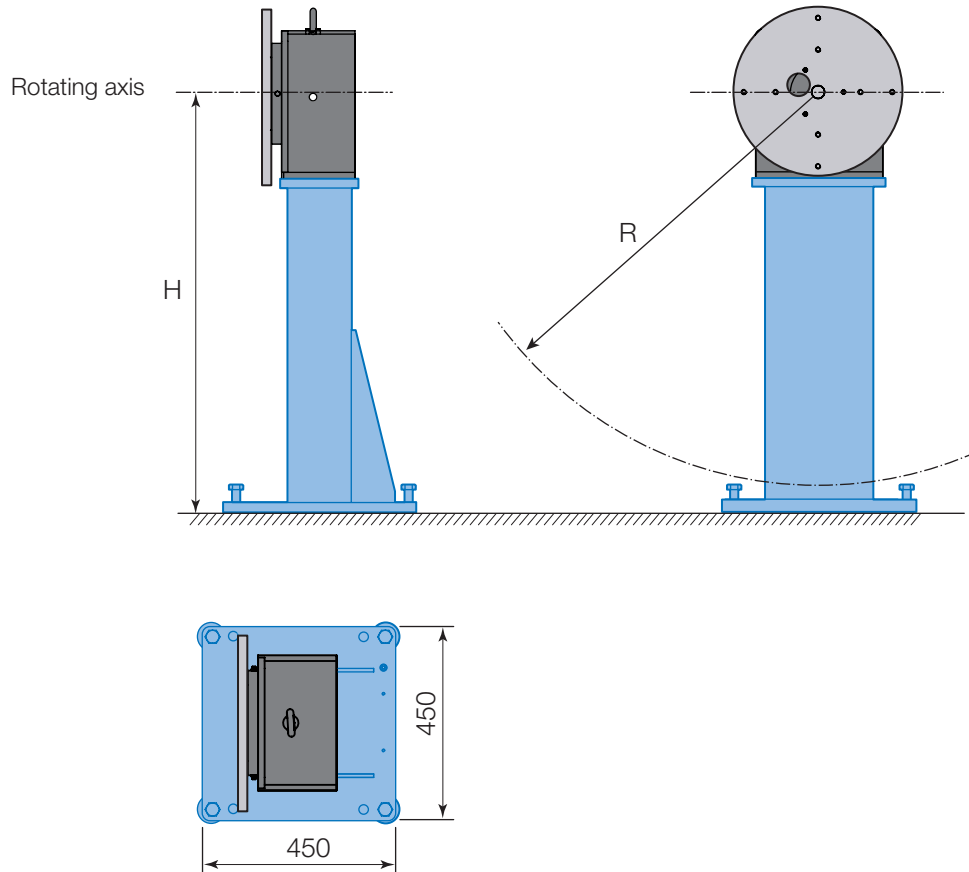
- Simple, modular design
- Prepared for media transfer units.

This is a one station tailstock for workpieces requiring rotation about one axis. It is a stand alone tailstock suitable for integration in e.g. compact welding stations.

#### Options

- Slip ring device
- Controlled air
- Air 3/8" + slip ring
- Air 2x 3/8" + slip ring
- Fixture disc
- Fixture bracket

Technical data		SPE-1000	SPE-5000
Maximum fixture width, radius = R		650, 750, 850, 970, 1200 mm	970, 1200 mm
Welding capacity	100% duty cycle 60% duty cycle	NA	350 A 460 A



	R (mm)	H (mm)	Weight	Part No.
<b>SPE-1000</b>	600	650	102 kg	115324-101
	700	750	150 kg	115324-106
	775	850	111 kg	115324-102
	900	970	117 kg	115324-100
	1125	1200	127 kg	115324-103
<b>SPE-5000</b>	970	970	172 kg	115375-100
	1200	1200	197 kg	115375-101