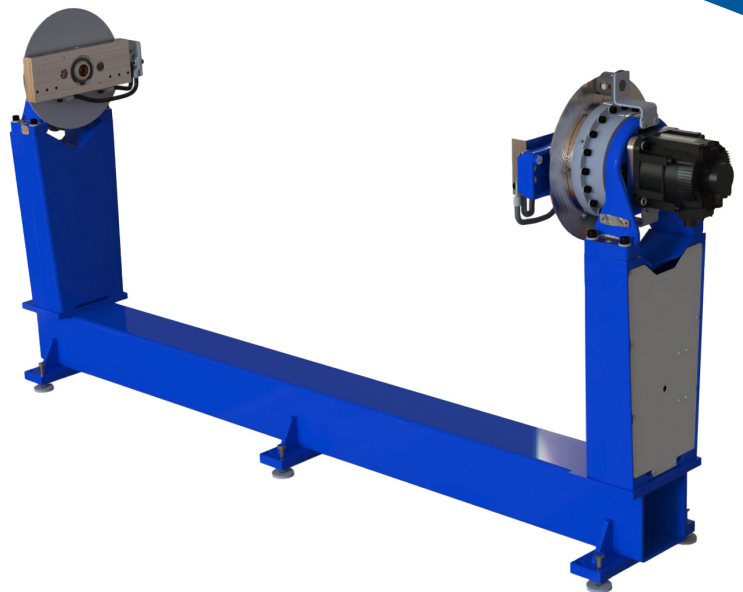


## HTC-500YC, -1000YC

Head- and tailstock positioner with horizontal rotation and enhanced welding capacity.

One station positioner for workpieces requiring rotation about one axis. Head- and tailstock with MotoMount fixture mounting system mounted on a bed. The distance between headstock and tailstock is fixed.

Designed for heavy duty welding with increased welding capacity (both head- and tailstock), e.g. when using two robots or more.



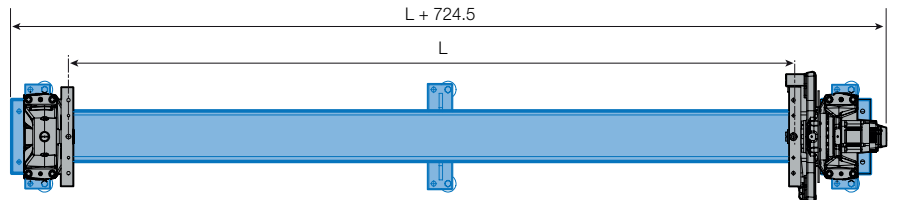
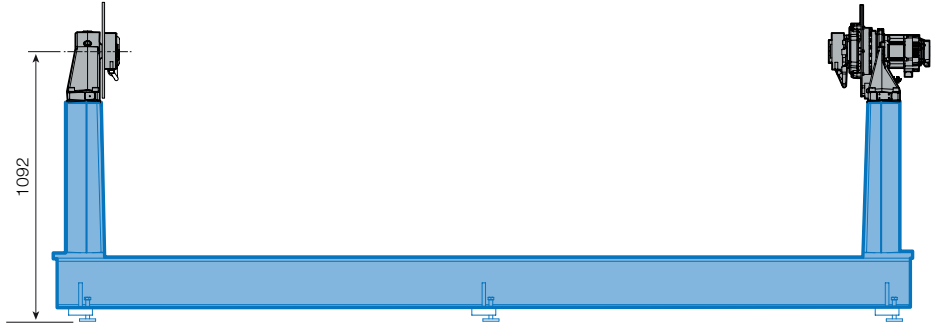
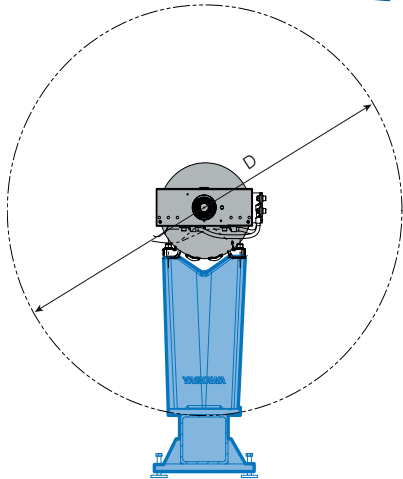
Technical data		HTC-500YC		HTC-1000YC	
<b>Max. capacity</b>	load	<b>500 kg</b>		<b>1000 kg</b>	
	offset	150 mm		150 mm	
<b>Motor power</b>		1.3 kW		3.0 kW	
<b>Gear ratio</b>	reducer	165:1		170:1	
<b>Speed</b>	nominal	9.0 rpm		8.8 rpm	
	maximum	23 rpm		23 rpm	
<b>Torque</b>	rated	1177 Nm		2689 Nm	
	continuous rated	941 Nm		2151 Nm	
	peak	2354 Nm		5378 Nm	
<b>Rated welding current</b>	100%	860 A		860 A	
	60%	1120 A		1120 A	
	35%	1380 A		1380 A	
<b>Max fixture width</b>	diameter	1250 mm	1650 mm	1250 mm	1650 mm
<b>Part No.</b>		<b>141510-8xx</b>	<b>141512-8xx</b>	<b>141514-8xx</b>	<b>141516-8xx</b>

New generation  
Sigma-7

Fixture holder  
MotoMount

Controlled by  
YRC1000

# HTC-500YC, -1000YC



Type	L	D	Part No.
HTC-500YC	2050	1250	141510-801
		1650	141512-801
	3050	1250	141510-804
		1650	141512-804
	4050	1250	141510-806
		1650	141512-806
<i>Other lengths on demand.</i>			
HTC-1000YC	2050	1250	141514-801
		1650	141516-801
	3050	1250	141514-804
		1650	141516-804
	4050	1250	141514-806
		1650	141516-806
<i>Other lengths on demand.</i>			

# YASKAWA



YASKAWA Nordic AB  
 PO Box 504  
 SE-385 25 Torsås, SWEDEN